

INFORMATION FOR SDS AND SURFACE PIERCING PROPELLERS CALCULATION

The accuracy of the given information will determine the success of your installation.

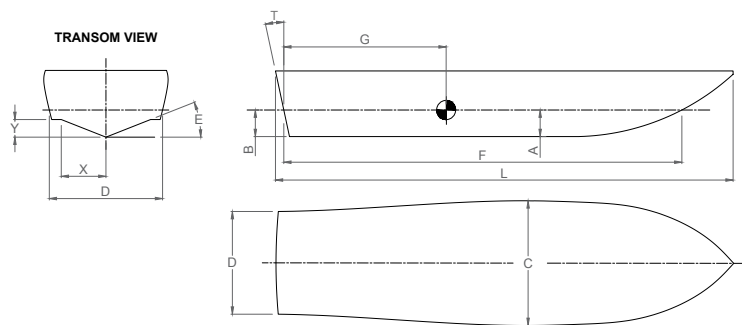
Location of shipyard:
 Name of shipyard:
 Country of final destination:
 Navigation zone:
 Expected date of finished product:

CUSTOMER INFORMATION

Name: First name:
 Phone: Email:
 Company:
 Address:
 Town: Zip Code: Country:

CONSTRUCTION & HULL DATA

Brand: Model of boat:
 Hull material:



If you don't have the E value, please provide X and Y measures

Measures: X = m Y = m

LOA	L	m
LWL	F	m
Maxi draft	A	m
Draft at transom	B	m
Max beam at transom waterline	C	m
Beam at transom waterline	D	m
Deadrise angle	E	°
LCG Position	G	m
Transom angle	T	°
Full load displacement		T
Light displacement		T
Stepped hull	<input type="checkbox"/> Yes	<input type="checkbox"/> No

ENGINE(S) DATA

Brand:
 Nb of engines:
 Model:
 Nb of cylinders:
 Max power: HP
 Max power: KW
 Max revolution: RPM
 Current boat speed: Kn

GEARBOX(ES) DATA

Brand:
 Model:
 Gearbox ratio: /1

PROPULSION

Existing prop size:
 Nb of blades:
 Drive type:

Application: Leisure Commercial Defence Other
 Classification of the ship: Yes No

Comments:

IMPORTANT

FRANCE HELICES is not responsible for the information provided by the applicant.
 Mr, Mrs declare that the above information is contractual.

Read and approved

Signature
 Date